



Aqualitec
Wastewater Treatment Equipment

SCREENTEC
VERTICAL BAR SCREEN

Screentec:

The Pump Station Bar Screen

- #1 Solution to protect pumps from clogging.
- Permanently remove wipes and other debris

By Aqualitec.



Aqualitec Corp. - 3415 S,
Sepulveda Blvd, Suite 1100,
Los Angeles, CA 90034



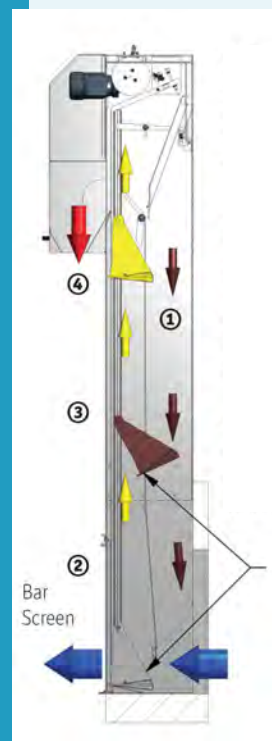
Tel, 1-855-650-2214,
info@aqualitec.com



www.aqualitec.com

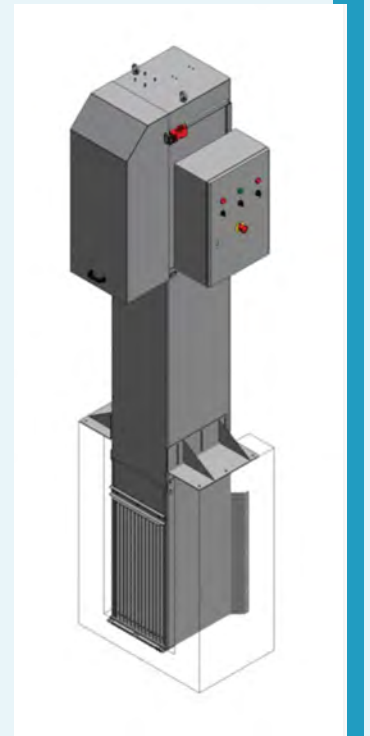


OPERATING MODE:



Aqualitec's bar screen Screentec is a mechanical vertical bar screen specifically designed to remove objects such as rags, wipes and plastics, from wastewater and protect pumps from clogging. It is the first line of defense used by wastewater treatment plants or collection system. Thanks to its unique vertical design, it can retrofit any Headworks, pump stations, lift stations, wet wells and manholes. It protects pumps from rags, wipes, plastics and other solids. It also prevents pumps from clogging up, extends their life cycle and improves the quality of wastewater treatment.

Rake



PRODUCTS



SCREENTEC
Up to 7mgd



SCREENTEC WITH BUILT-IN WASHER COMPACTOR
Up to 2mgd



SCREENTEC HEAVY DUTY
From 7 to 50mgd



SCREENTEC SUPER DUTY
From 50mgd



FEATURES & BENEFITS

1. Vertical Design



With a 90° installation angle, Screentec can retrofit any wastewater structure, up to 100' deep.

2. Minimal & Easy Maintenance



Screentec does not have moving parts at the bottom of the frame. Weekly maintenance consists only of a visual check of the top section of the frame. Grade level access via the secure hood minimizes operator time, risk, and expense.

3. Odor Control



The frame of the vertical bar screen is completely enclosed. Adding a washer-compactor with a bagger system, such as Compactec, maintains total odor control. Screentec can be installed in residential areas

PERFORMANCES

Applications: Municipal & Industrial

Flow capacity: up to 80mgd

DESIGN GUIDELINES

Screenotec is customized based on specifications and/or structural constraints. Below are some guidelines of the design requirements.

MATERIALS

304 or 316 Stainless Steel

Bar spacing from 3/8"

Front or Back Cleaning

SPACE REQUIREMENTS - FOOTPRINT

Installation angle: 90°

Depth: 4' to 100'

Width: 12" to 9'

MOTOR CHARACTERISTICS

Absorbed power: from ¾hp (0.56KW)

Voltage: Custom to site – 3phases



City of Tampa,
Florida



Aqualitec Corp. - 3415 S,
Sepulveda Blvd, Suite 1100,
Los Angeles, CA 90034



Tel, 1-855-650-2214,
info@aqualitec.com



www.aqualitec.com