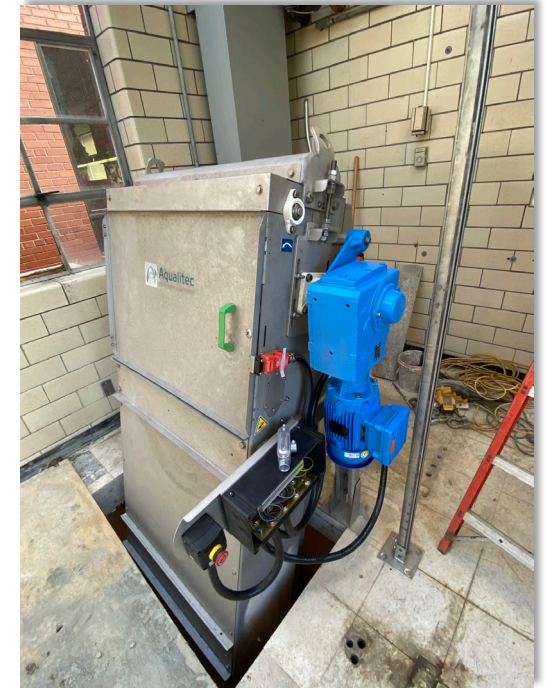
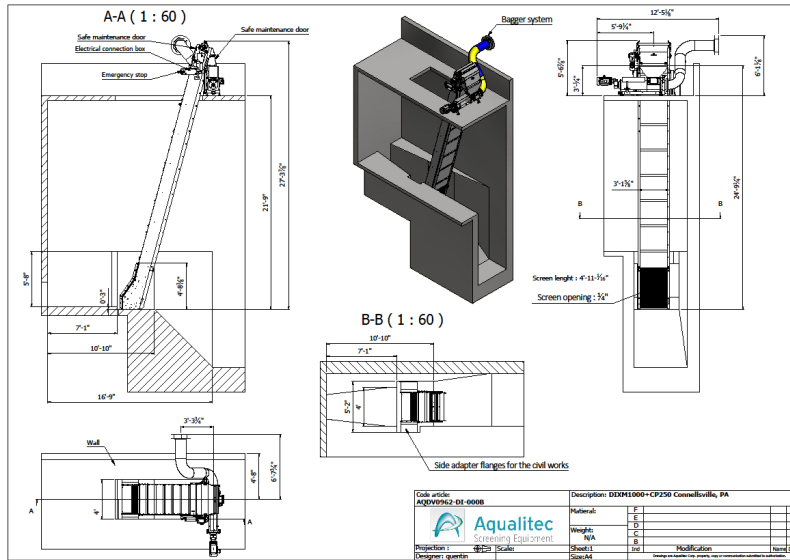


Connellsville Municipal Authority, PA - 2020

Products: Raketec & Compresstec

Peak flow: 24 MGD

Depth: 21.9' - Width: 5.3'



Then

Now

“The Barscreen has been working well for us”