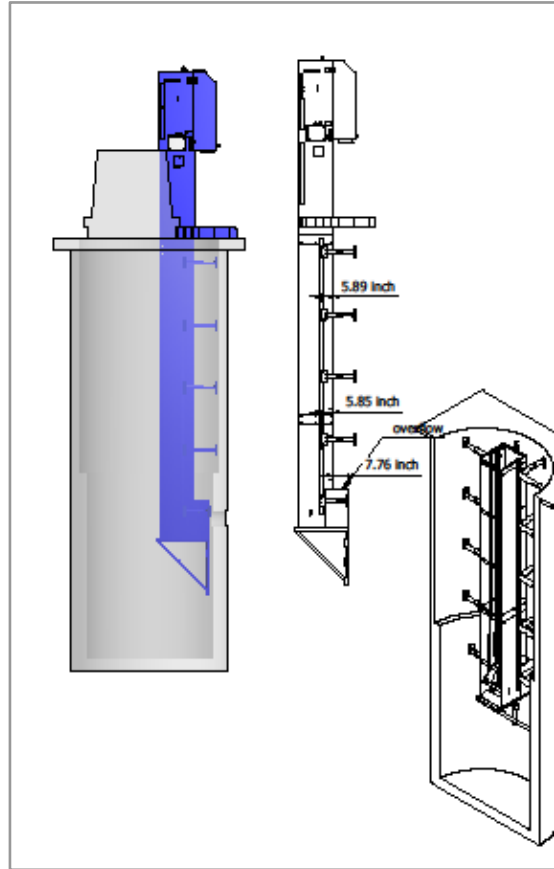


City of Pembroke Pines, FL - 2014

Products: **Screentec**
Peak flow: 350 GPM
Depth: 18' – Wet Well Diameter: 6'



Then



Now